

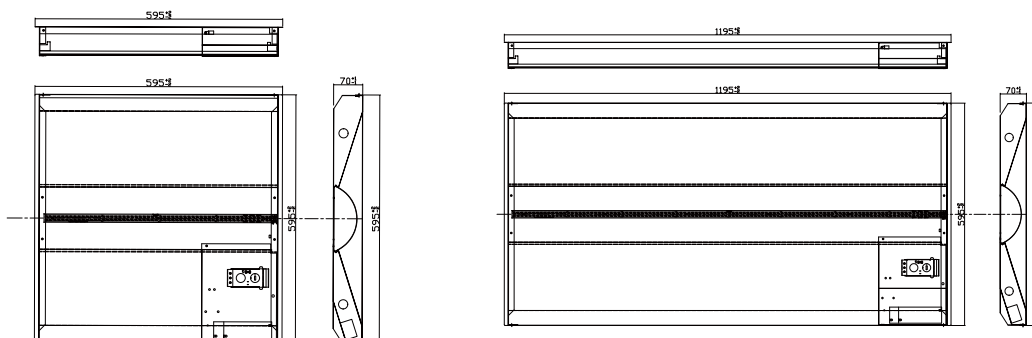
LED Troffer



Product Code	Dimension L*W*H [mm]	Power [W]	Input Voltage [V]	Efficiency [lm/W]	Color Temp[K]	CRI	Beam Angle	UGR	LED Chip
ALPTRF6060S-30W	595*595*70mm	30W	AC220-240V	100-125lm/W	3500K-6000K	≥80	110°	UGR<19	SMD2835
ALPTRF12060-55W	1195*595*70mm	55W	AC220-240V	100-125lm/W	3500K-6000K	≥80	110°	UGR<19	SMD2835



Dimension(mm):

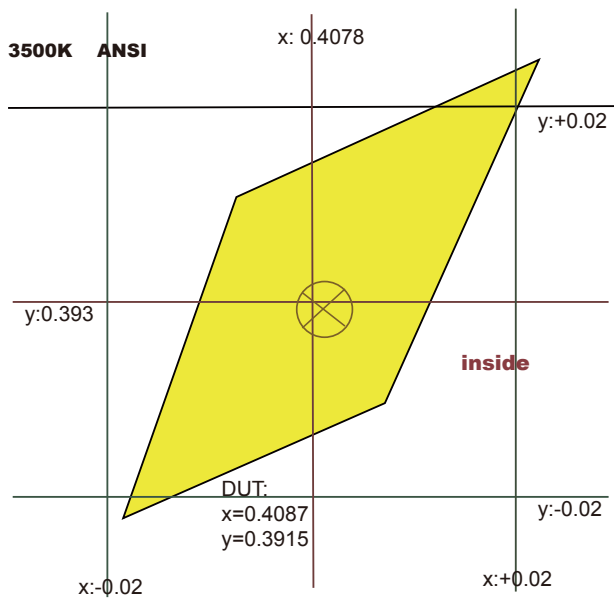
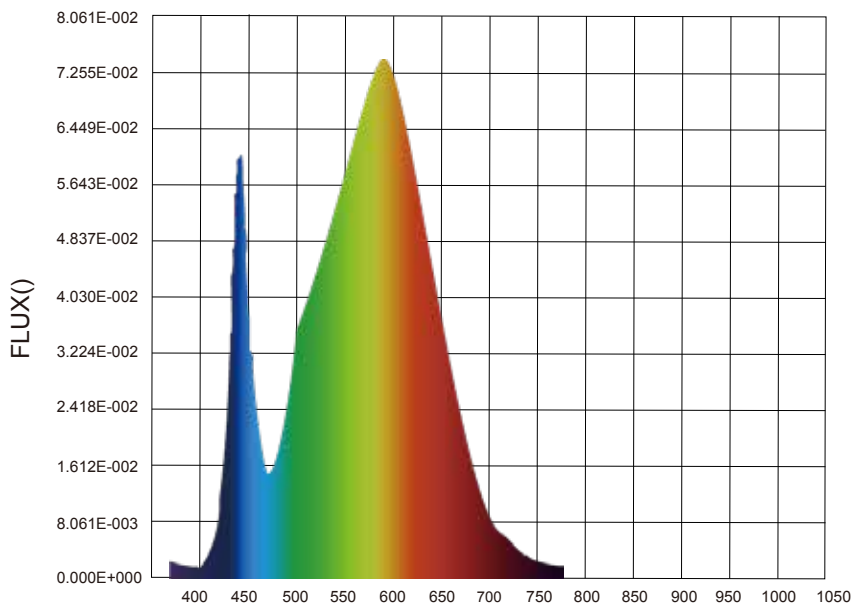


■ Integrating Sphere Test Conditions:

Temperature (°C)	Voltage (Vac)	Frequency (Hz)	Current (A)	Power (W)	Power Factor	Current THD	Orientation
25.0	240	60	0.2533	30.134	0.9914	N/A	Horizontal

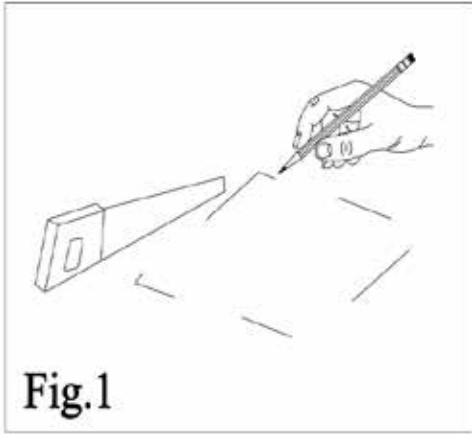
Test Results

CCT(K)	CRI(Ra)	Duv	Flux(lm)	Luminous Efficacy (lm/W)	Luminous Efficacy (lm/ft)
3431.0	81.98	-0.0004	3881.46	128.81	N/A

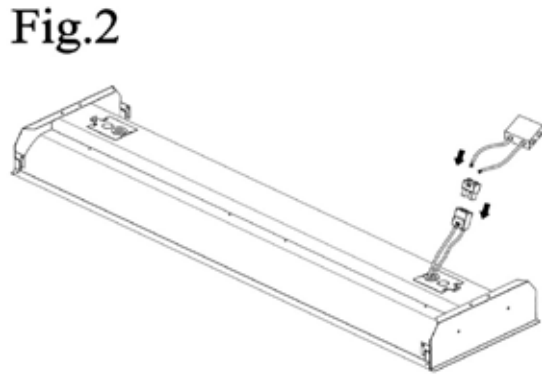


■ **Connection Mode:**

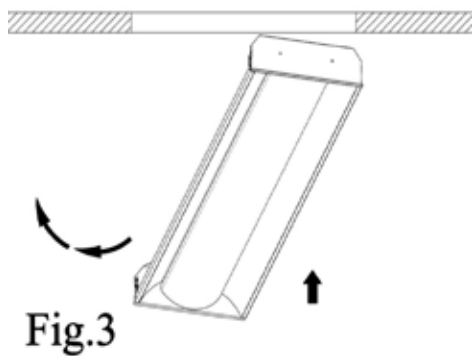
1-Drill the holes in the wooden ceiling.



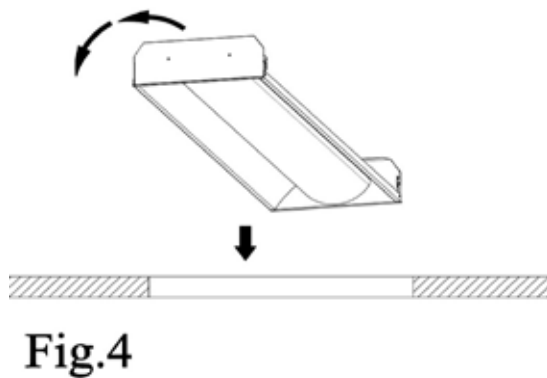
2-Turn off the power,make the wire connection to the quick connector.



3-Turn the light into the opening ceiling.



4-Make sure the light sitting down well to the ceiling frame.



5-The lights sit well on the ceiling frame.



6-The wire connection diagram

